

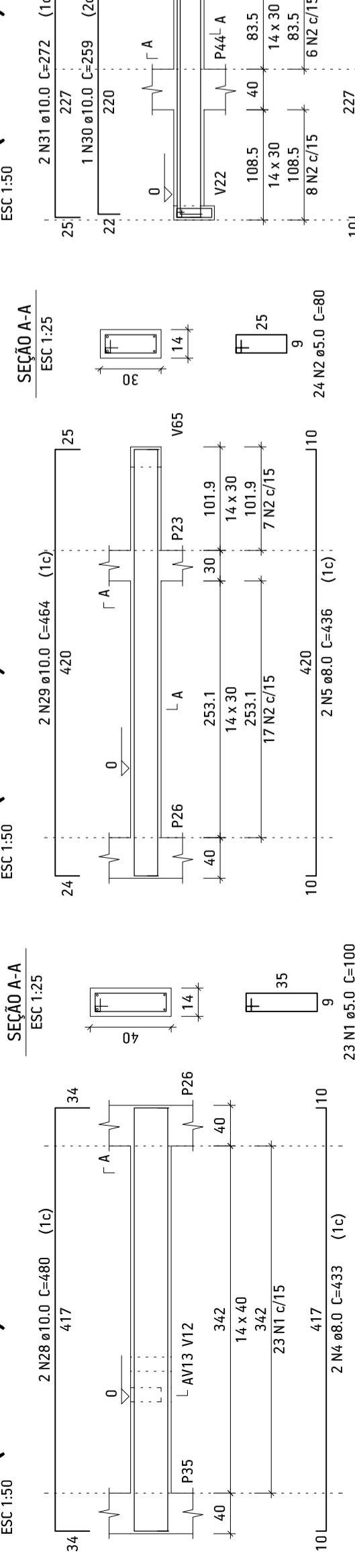
Relação do aço

Table with columns: AÇO, DIAM, C/TOTAL, PESO + 10%, Q, DIAM, Q, UNID, C/TOTAL. It lists steel reinforcement details for various cases.

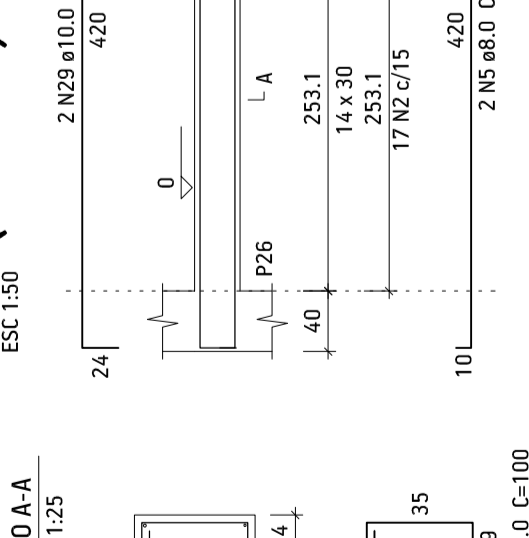
Resumo do aço

Table with columns: AÇO, DIAM, C/TOTAL, PESO + 10%, Q, DIAM, Q, UNID, C/TOTAL. It provides a summary of steel reinforcement for different cases.

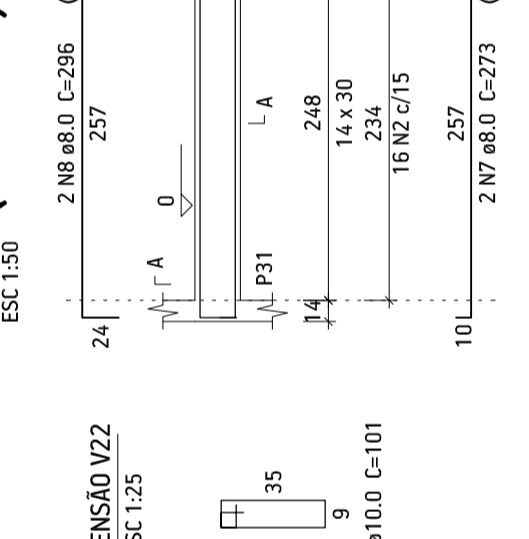
V37 (14 x 40)



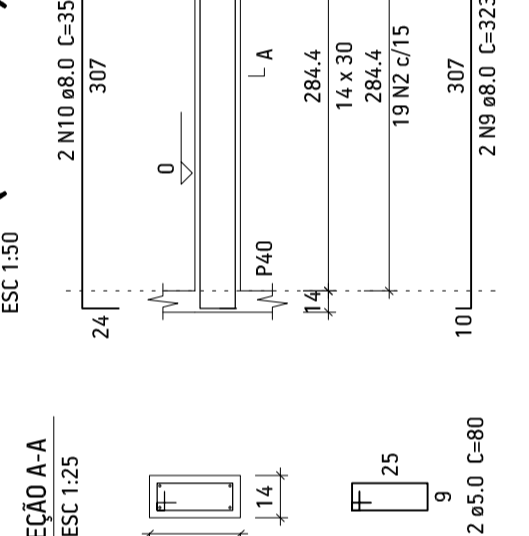
V38 (14 x 30)



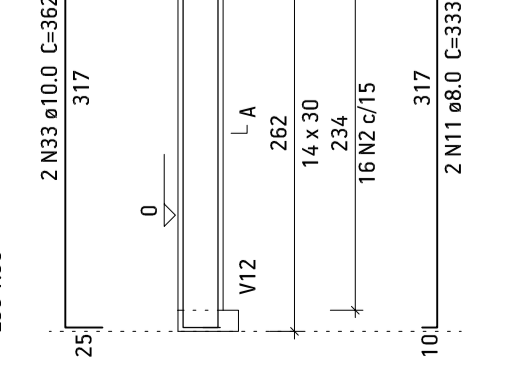
V40 (14 x 30)



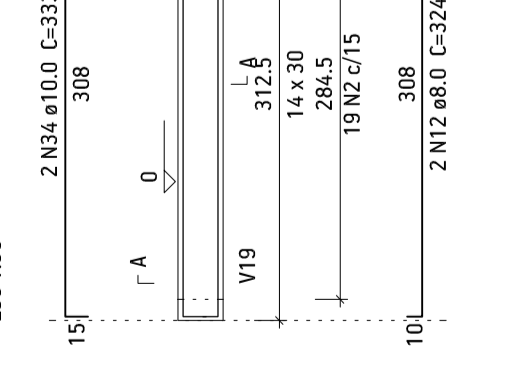
V41 (14 x 30)



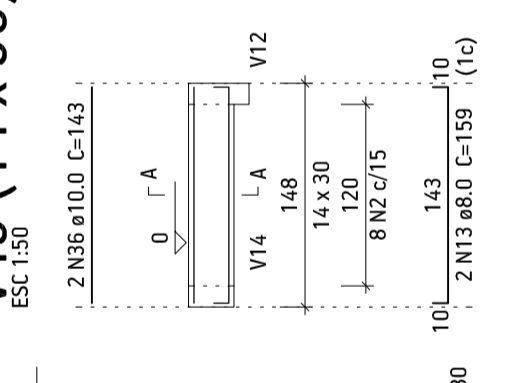
V42 (14 x 30)



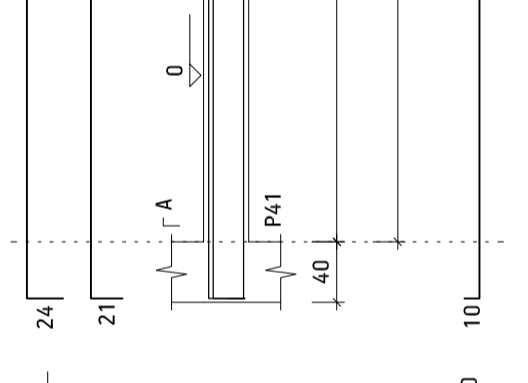
V43 (14 x 30)



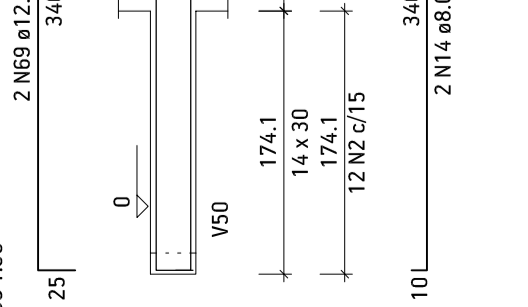
V45 (14 x 30)



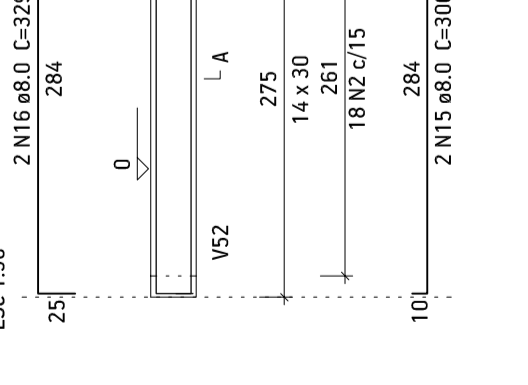
V46 (14 x 30)



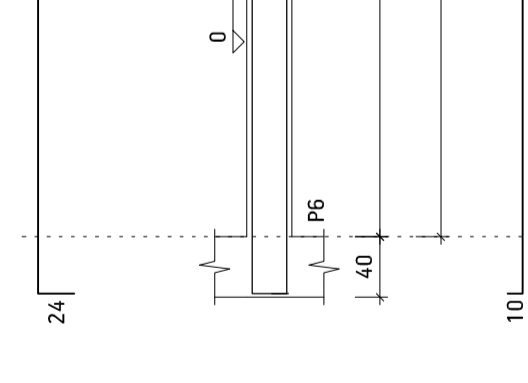
V47 (14 x 30)



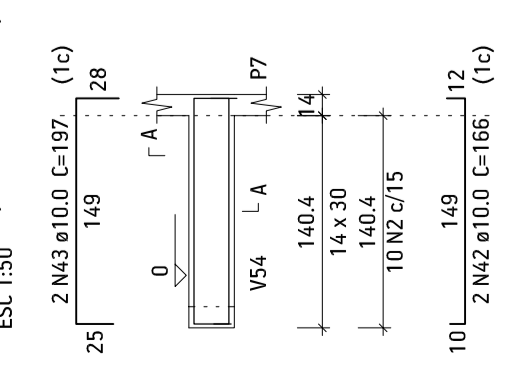
V48 (14 x 30)



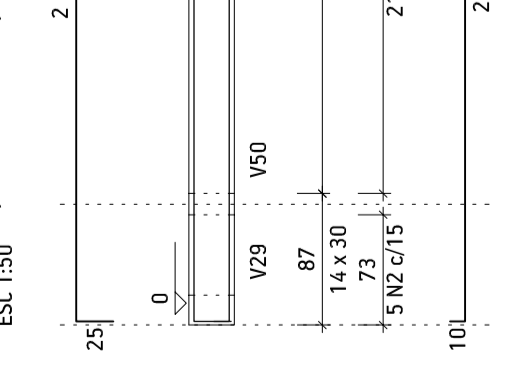
V49 (14 x 30)



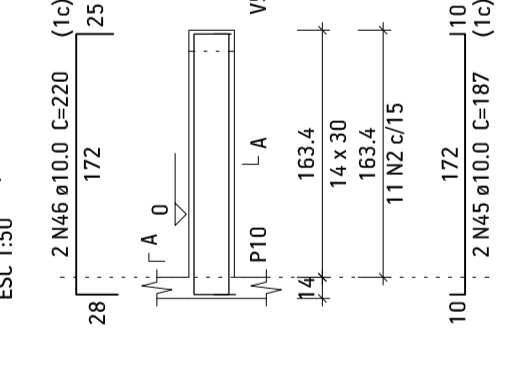
V51 (14 x 30)



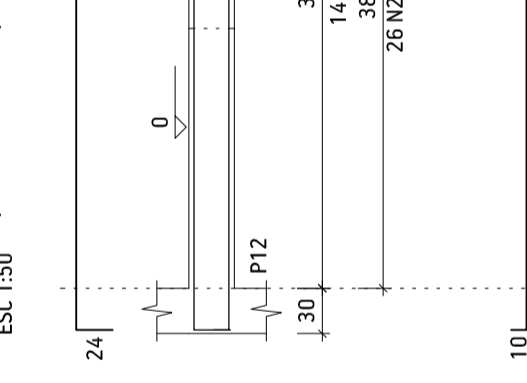
V52 (14 x 30)



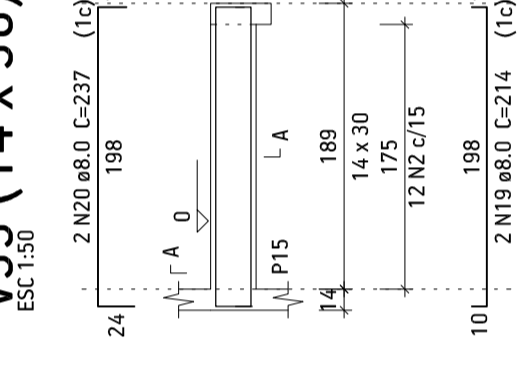
V53 (14 x 30)



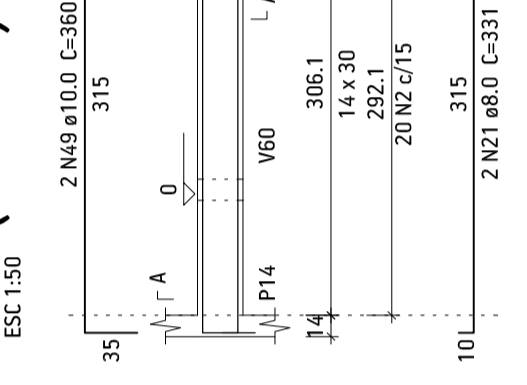
V54 (14 x 30)



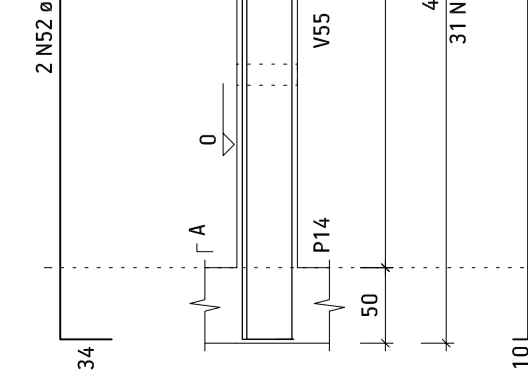
V55 (14 x 30)



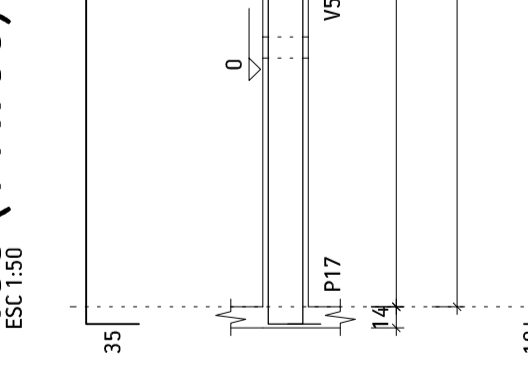
V56 (14 x 30)



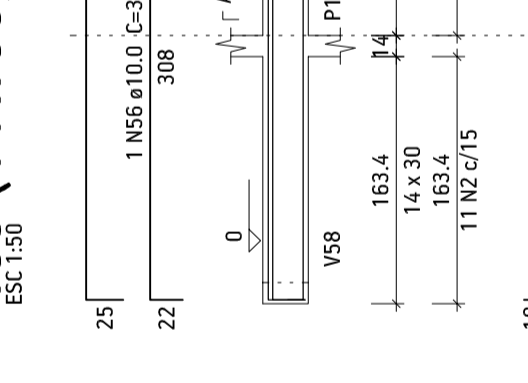
V57 (14 x 30)



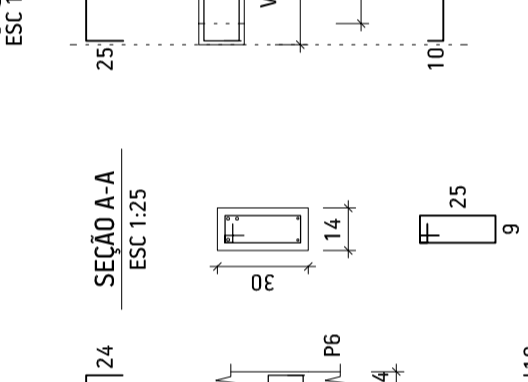
V58 (14 x 30)



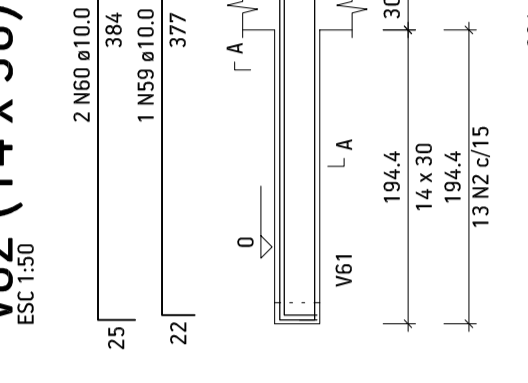
V59 (14 x 30)



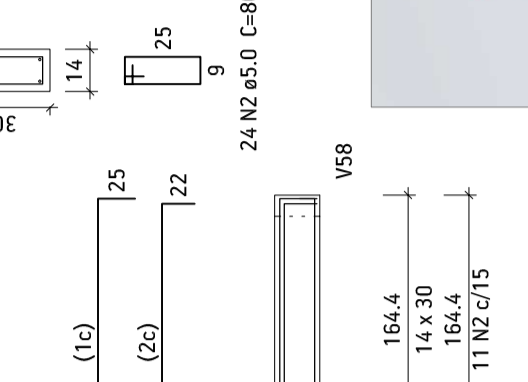
V60 (14 x 30)



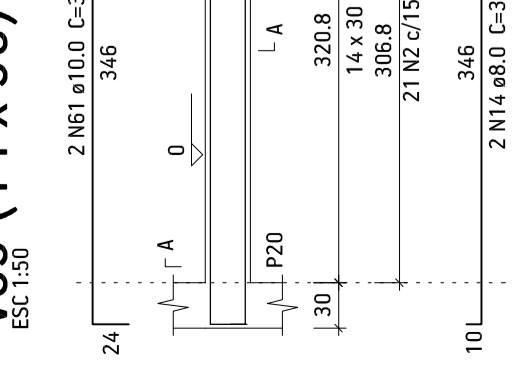
V61 (14 x 30)



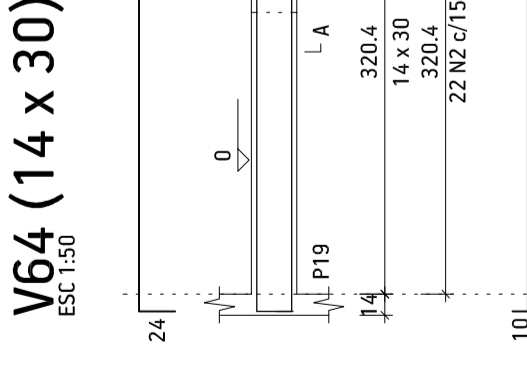
V62 (14 x 30)



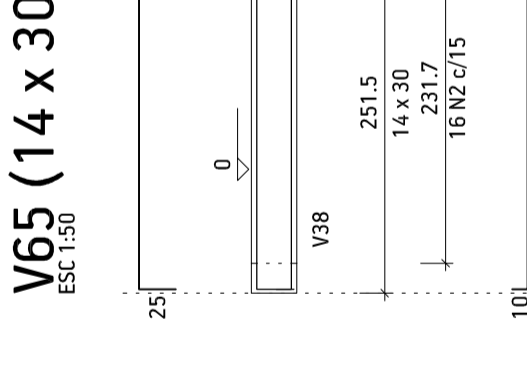
V63 (14 x 30)



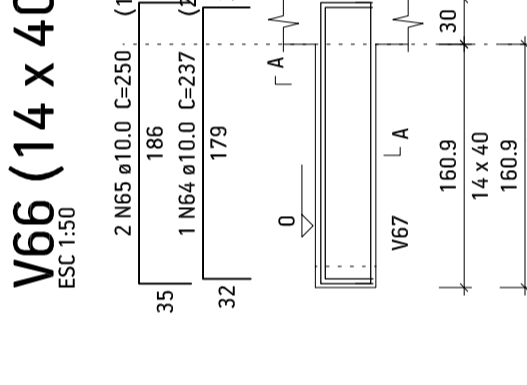
V64 (14 x 30)



V65 (14 x 30)



V66 (14 x 40)



V67 (14 x 40)

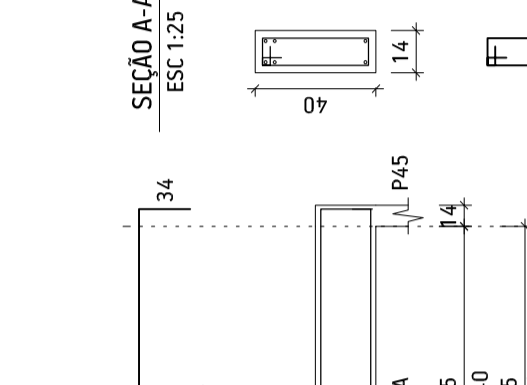


TABELA DE COBRIMENTOS. Table listing cover requirements for different reinforcement elements (Vigas, Placas, Colunas) and their diameters.

DETALHES IMPORTANTES DE PROJETO. Important project details including dimensions in millimeters and instructions for reinforcement placement.

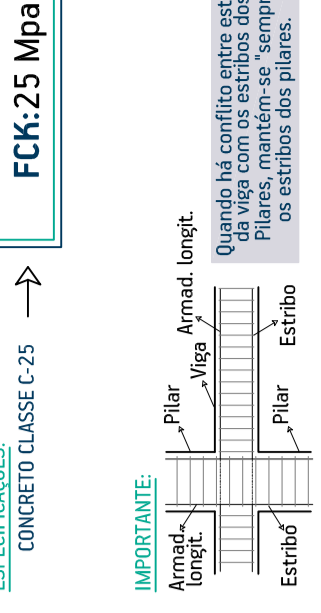


Table with columns: Item, Description, Quantity, Unit, Total. It lists materials and their quantities for the project.

Project information block including company logo (DOISPORDOIS Engenharia), project name (ESTRUTURAL - EST - DIMS - 1.FINISACOES), owner details, and contact information for Francisco Rosário.